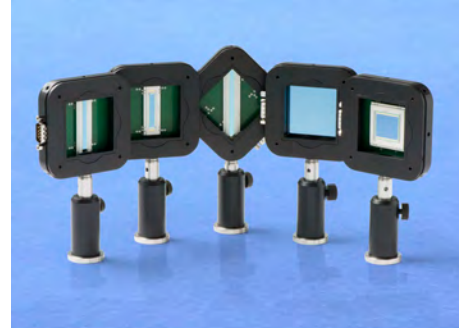


PSDs in Mechanical Holder MH02

SiTek's high linearity PSDs are also available in a mechanical holder suitable for optical system setups. The mechanical holder MH02 has a size of 84 x 84 mm² and the PSD is easily accessed via a DSUB9 connector. It is designed to fit square 2" filters as well as standard optomechanical components, such as posts and cages stages. To minimize reflections it has a black anodized surface.

The holder is available with SiTek's PSDs ranging from 30 - 60 mm (1D) and 20 x 20 – 45 x 45 mm² (2D). SiTek's UV-enhanced PSDs can be delivered mounted in the PSD mechanical holder upon request.



PSD Holder MH02 selection

Part number & Parameters

PSD Holder with 1-dimensional PSDs

General data

Position non-linearity +/-0,1%

Part Number	Description	Active area (mm)	Leakage current (nA)	Noise current (pA/√Hz)	Capacitance (pF)	Rise time (10-90%) (µs)	Detector resistance
S1-0334	1L30_MH02	30 x 4	150	0,7	90	1	50k
S1-0333	1L45_MH02	45 x 3	110	0,4	105	2,7	115k
S1-0335	1L60_MH02	60 x 3	150	0,4	135	4,5	150k

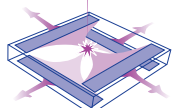
PSD Holder with 2-dimensional PSDs

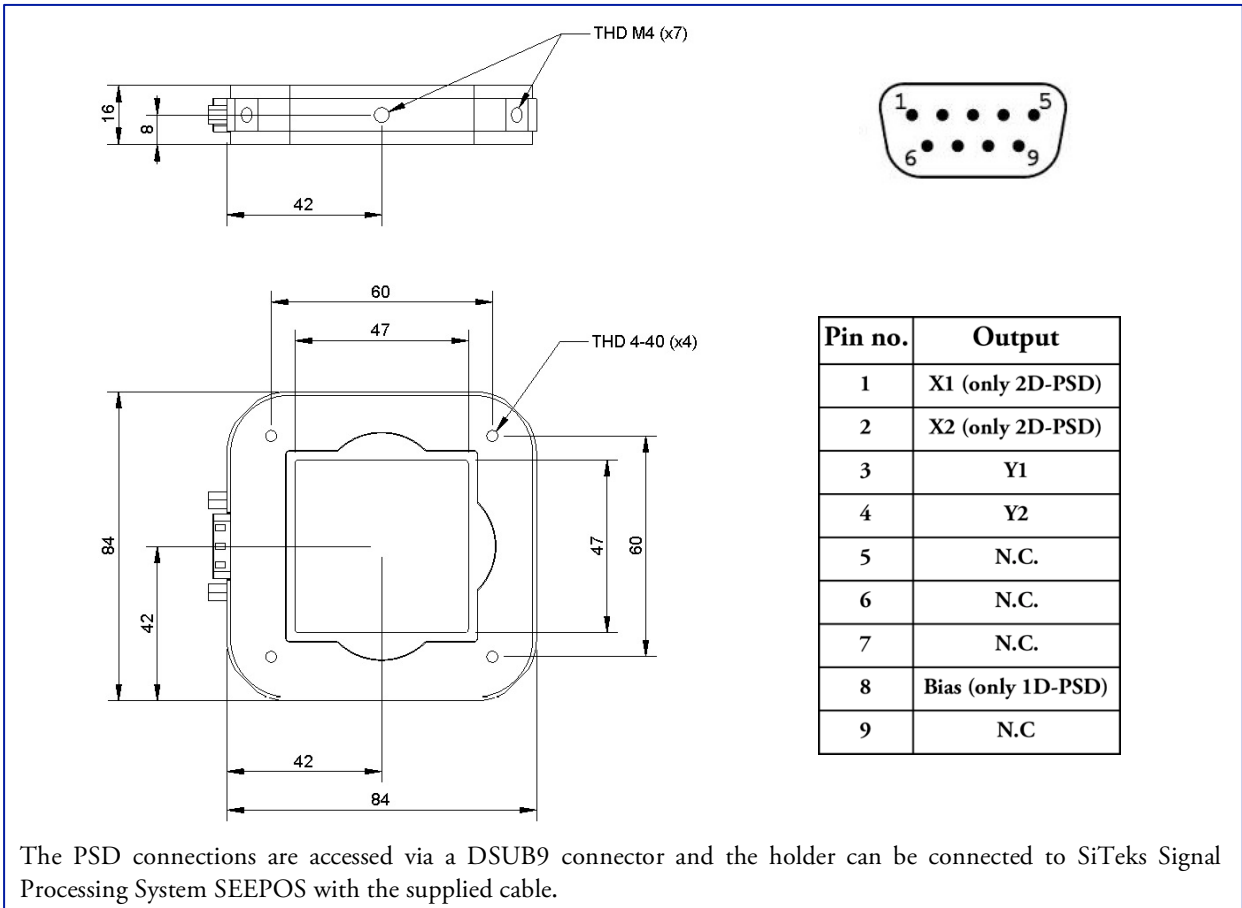
General data

Position non-linearity +/-0,3%

Detector resistance 10 kohm

Part Number	Description	Active area (mm)	Leakage current (nA)	Noise current (pA/√Hz)	Capacitance (pF)	Rise time (10-90%) (µs)
S2-0419	2L20_MH02	20 x 20	200	1,5	360	1,6
S2-0418	2L45_MH02	45 x 45	400	1,5	1600	7,0





Optomechanical accessories suitable for SiTek PSD Holder MH02

SiTek PSD holder is designed to fit standard optical and optomechanical components like posts, filters, filter holders, lens tubes etc. Some suitable accessories, which often can be found at your local optomechanical supplier, are listed below and further information can be provided by your local distributor or SiTek Electro Optics AB.

- Optical posts with M4 thread
- Square 2" optical filters
- 60 mm cage system (rods with #4-40 thread)



PSD Holder MH02 suits SEEPOS perfectly

For most position measurement applications the SiTek SEEPOS system offers a complete and easy-to use solution. It is a versatile PSD signal processing tool optimized for development of PSD systems. High speed PSD electronics combined with digital signal processing and high speed USB data transfer makes it possible to build your own powerful measurement system. All parameters, such as PSD bias voltage, amplifier gain, the use of analog and digital filters etc., are easily controlled from the software and light spot position is continuously displayed both in XY and X-t, Y-t graphs.

For further information contact your local distributor or SiTek Electro Optics AB.



Information in this data sheet is believed to be reliable. However, no responsibility is assumed for possible inaccuracies or omissions. Specifications are subjected to changes without notice.