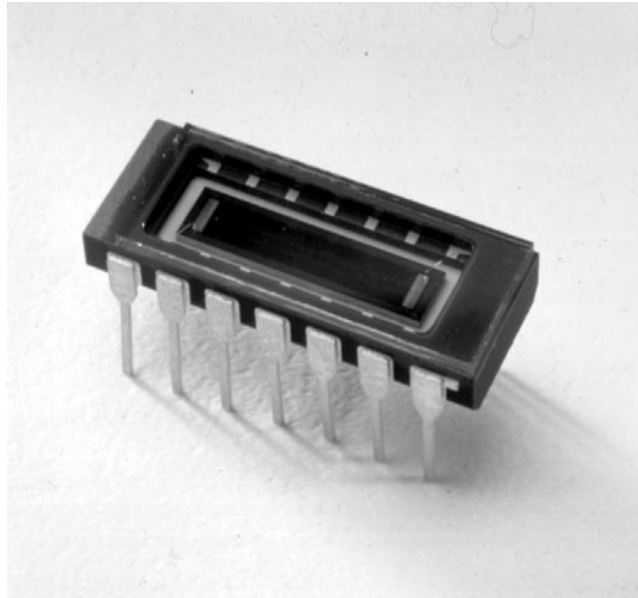


# High Linearity Position Sensing Detector

Part Number: S1-0073  
Description: 1L10UV\_CP2

The SiTek 1L10UV PSD is optimised for use in the UV wave length region 200, to 400nm. As SiTek standard PSDs it works according to the Lateral Effect Photodiode principle. It is an analogue device and displays excellent position resolution. The resolution is determined by the system signal-to-noise ratio.

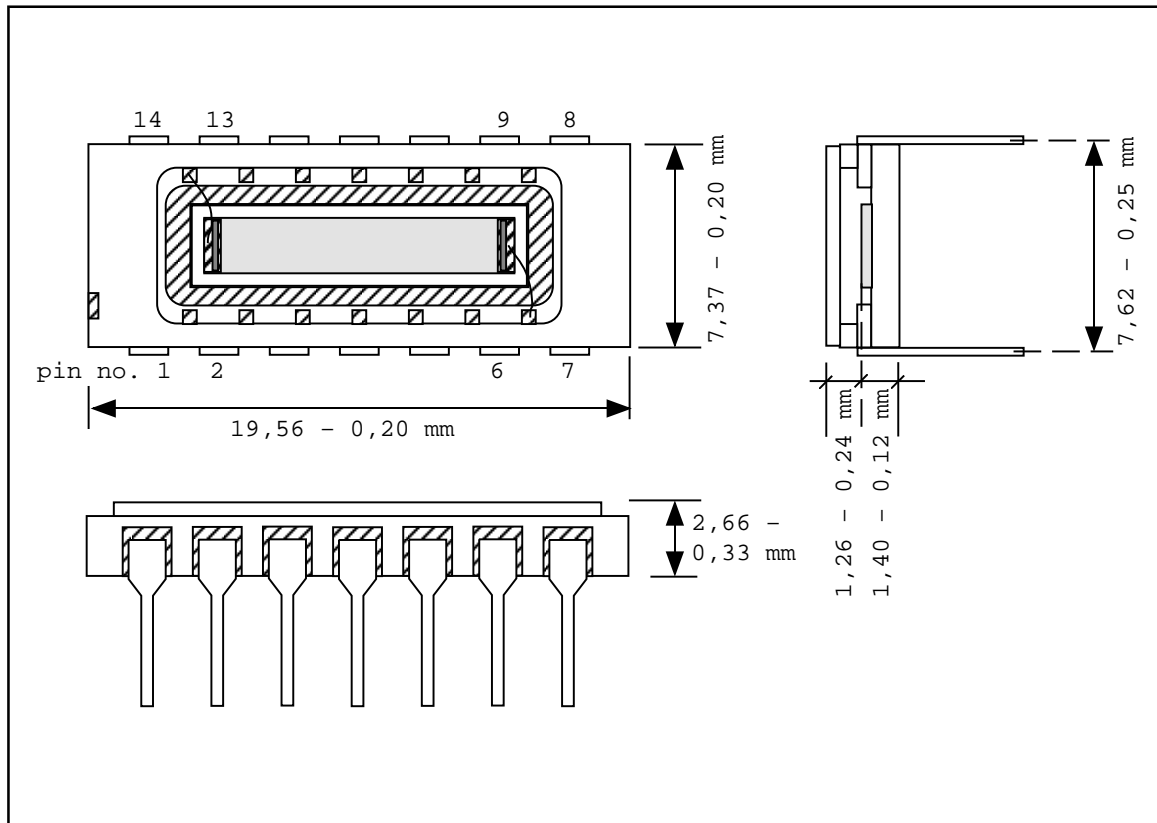
The 1L10UV is operated in the biased mode. Typical applications include: distance and height measurement, alignment, position and motion measurements and vibration studies.



Parameter	Symbol	Min.	Typ.	Max.	Unit
Active area			10 x 2		mm <sup>2</sup>
<b>Position non-linearity</b>			<b>1</b>	<b>2</b>	%(±)
Detector resistance	R <sub>det</sub>	<b>40</b>	<b>50</b>	<b>80</b>	k Ω
Dark current	I <sub>d</sub>		<b>8</b>	<b>50</b>	nA
Noise current	I <sub>noise</sub>		<b>0,4</b>	<b>1,0</b>	pA/√Hz
Responsivity	r		<b>0,5</b>		A/W
Capacitance	C <sub>j</sub>		<b>15</b>	<b>20</b>	pF
Rise time (10-90%)	t <sub>r</sub>		<b>200</b>	<b>400</b>	ns
Reverse voltage (bias)	V <sub>r</sub>	<b>5</b>	<b>15</b>	<b>30</b>	V
Thermal drift			<b>20</b>	<b>100</b>	ppm/°C
<b>Maximum ratings</b>					
Reverse voltage	V <sub>R-max</sub>			<b>30</b>	V
Operating temperature	T <sub>oper</sub>			<b>70</b>	°C
Storage temperature	T <sub>stg</sub>			<b>100</b>	°C

Test conditions: Room temperature 23°C. Reverse voltage 15 V. Light-source wavelength 940 nm.  
Position non-linearity and thermal drift are valid within 80% of the detector length.

Package: 14-pin ceramic DIL-package, 19,6 x 7,3 mm<sup>2</sup>, with protective quartz window.



### 1L10UV\_CP2

Pin configuration:	1	Bias	Note:	Outputs Y1, Y2 are interchangeable.
	7	Output Y1		The anodes Y1, Y2 must be
	14	Output Y2		at negative potential compared
	2-6 & 8-13	N/C		to the cathode.

### Application information:

The inherent resolution of a PSD is very good. It is proven to be better than one part in one million. The performance of a PSD based measurement system is thus limited by its mechanical, optical and electrical components.

To get the best performance you have to consider:

- Modulated light source. Modulation makes it possible to avoid influence of other light sources.
- Stable temperature.
- Mechanical stable system.
- High optical resolution.
- High resolution in division of the sum- and difference signals.

Resolution, optical sensitivity and measurement speed are related to each other in the PSD measurement system and you have to make the proper choices and tradeoffs for your system. Further information as schematics of a recommended hook-up is obtainable from your local distributor or from SiTek Electro Optics AB.

### SiTek PSD Position Measurement electronic boards:

For most position measurement applications the SiTek PM-kit offers a complete and easy-to use solution. It is a series of general purpose, high performance, low-noise electronic boards designed for SiTek PSD. You can easily build your own measurement system using our PM-kit. Further information is obtainable from your local distributor or from SiTek Electro Optics AB.

Information in this data sheet is believed to be reliable. However, no responsibility is assumed for possible inaccuracies or omissions. Specifications are subjected to change without notice.